

FP ULTRA LOW RANGE PRESSURE DIFFERENCE SWITCHES

Ultra Low Range Pressure Difference Switches with User Adjustable Knob



Salient Features

Easy to See, Easy to Use!

Set Point easily user adjustable with visible scale in Pascal. (no need of pressure gauge)

Enclosure

Robust Gravity Die Cast Aluminum

Long Lasting!

10⁶ switching operations

Trusted all over!

Tested and Proven

Technical Specifications

Media: Air, non-flammable gases and non-aggressive gases

Housing Material: IP 66 Gravity Die Cast Aluminium

Protection Category: IP66 with cover.

Ranges: 20 Pa to 4000 Pa

Maximum Working Pressure: 0.1 bar

Electrical Rating: Maximum 1.0A (.4 A) / 250VAC

Electrical Connection: Standard Terminal Strip provided

Cable Entry: ½" NPT

High Pressure and Low Pressure Port: 1/8" BSP(F)

Media Temperature: 80°C max.

Ambient Temperature: -5°C to 60°C



Range Selection Table

Range Code (Orion)	Adjustment Range for Upper Switching Pressure Pa (mm wg)	Switching Differential Set to Pa (mm wg)
FP80	20-200 (2.039-20.395)	10 (1.020)
FP81	40 - 100 (4.079 - 10.197)	20 (2.039)
FP82	40 - 200 (4.0479 - 20.395)	20 (2.039)
FP83	50 - 500 (5.099 - 50.987)	20 (2.039)
FP85	200 - 1000 (20.395 - 101.974)	100 (10.197)
FP86	500 - 2500 (50.987 - 254.935)	150 (15.296)
FP87	1000 - 4000 (101.974 - 407.896)	250 (25.494)

How to order FP series Low Range Pressure Difference Switches

Please specify the Range Code e.g.. FP82 or FP85 as per range selection table.

INSTALLATION AND OPERATING INSTRUCTIONS

Principle of Operation

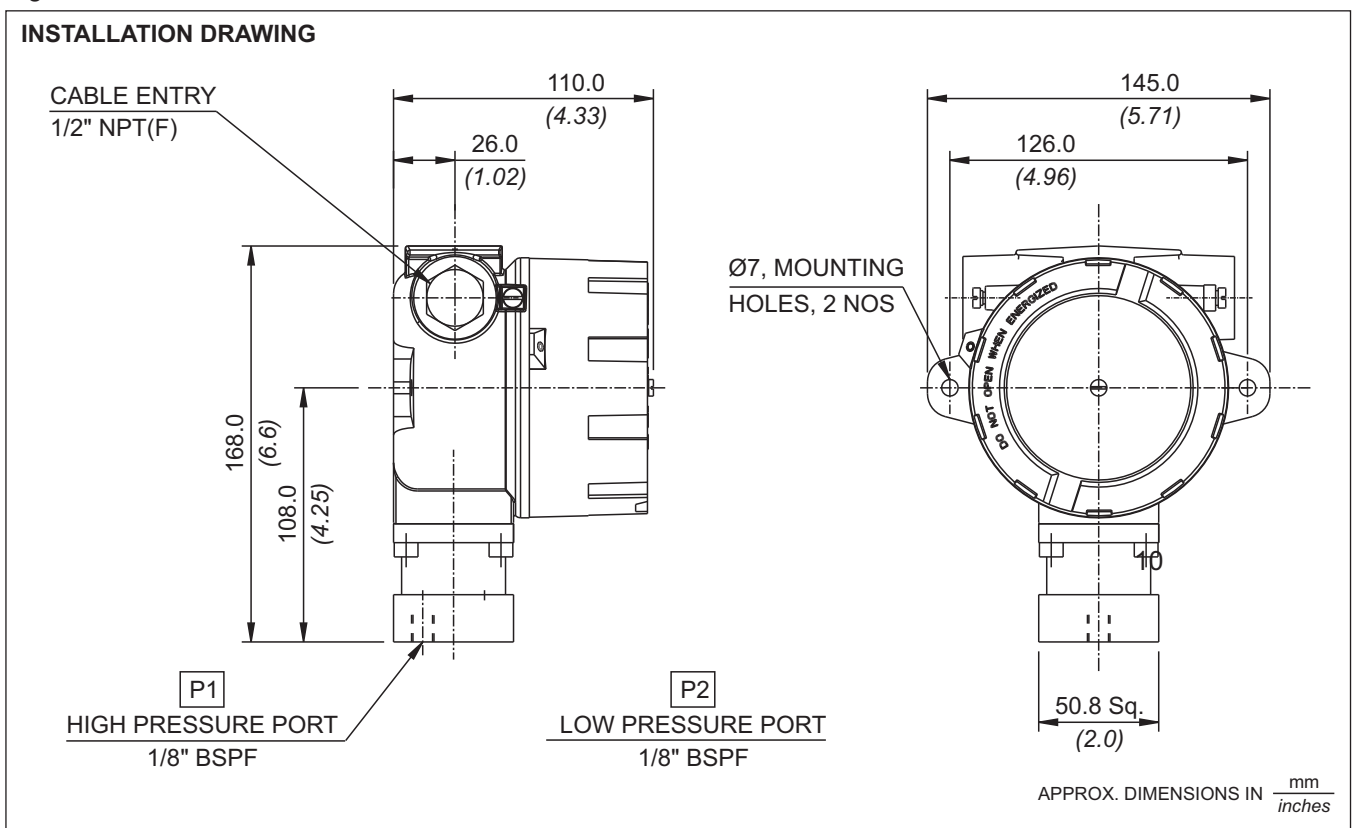
When the effective force generated by the pressure difference in the lower and upper chamber of the pressure capsule exceeds/falls beyond the balancing spring forces, an electrical element is actuated.

Mounting

The detailed mounting dimensions are shown in Fig. 1.

- 1) Pressure Switches can be mounted on a plate/inside a panel using $\varnothing 7$ mounting holes provided.
- 2) For any other process connection, please use an adaptor.

Fig. 1



P1 = High Pressure Port
P2 = Low Pressure Port

- Note :
1. Use two screws only, for mounting
 2. Remove transport protection from P1 and P2

CAUTION :

Install pressure switch vertically. Installing it at an angle more than 30° to vertical may result in malfunction.